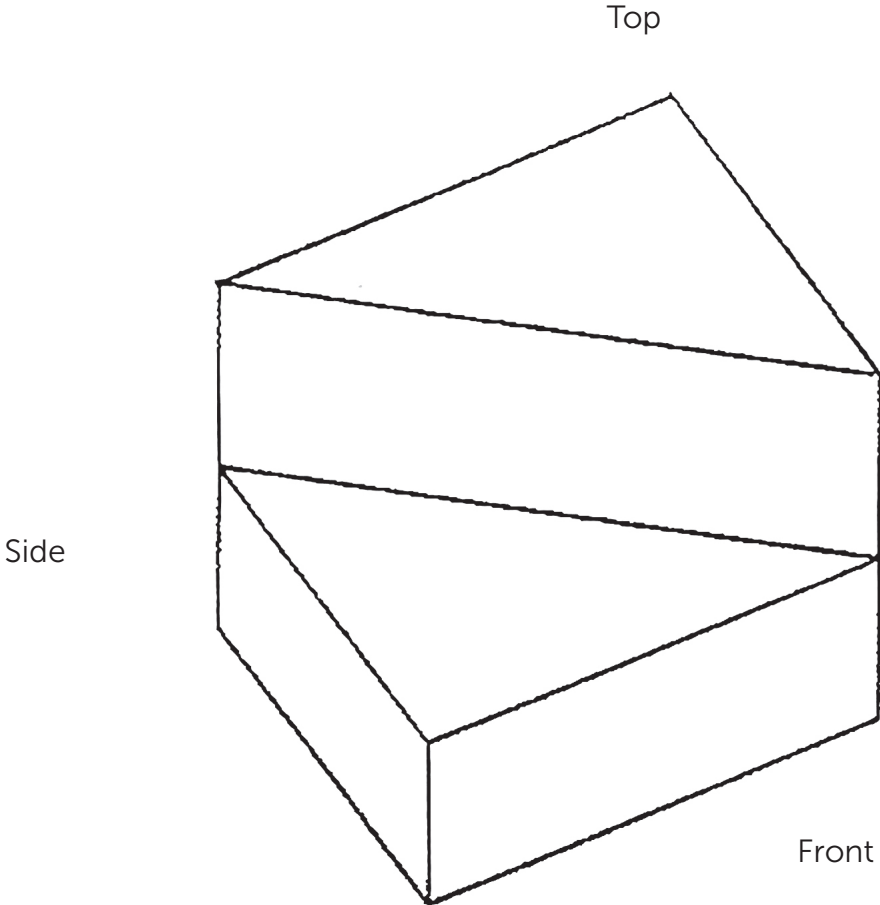
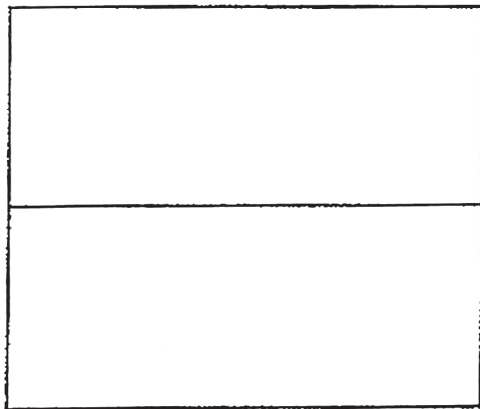
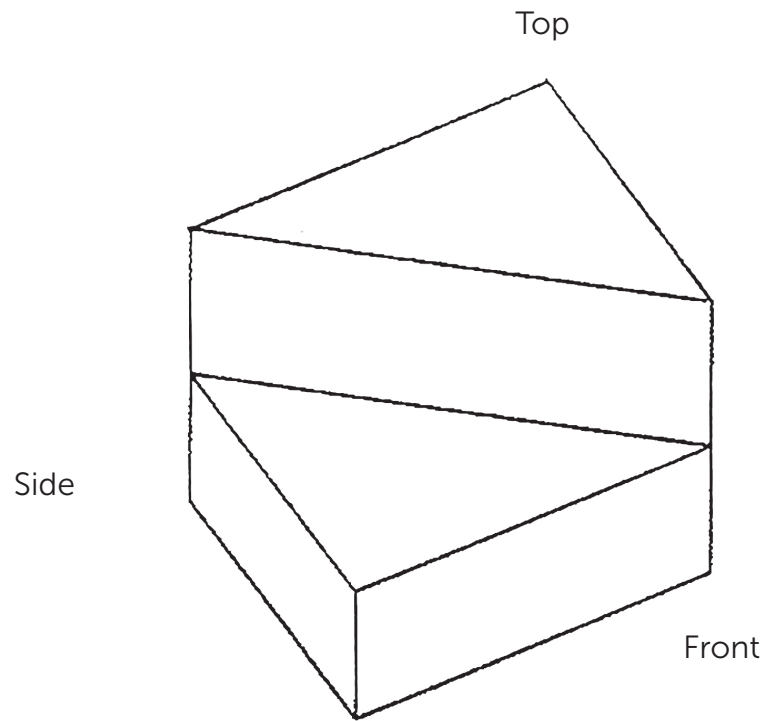


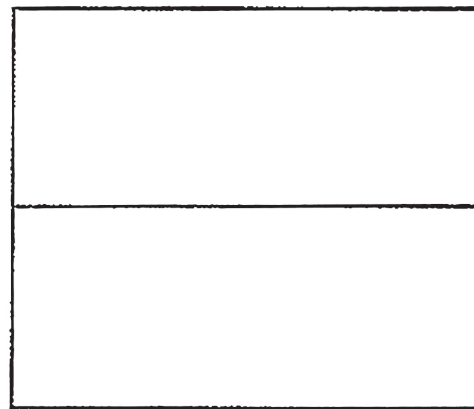
Problem #1



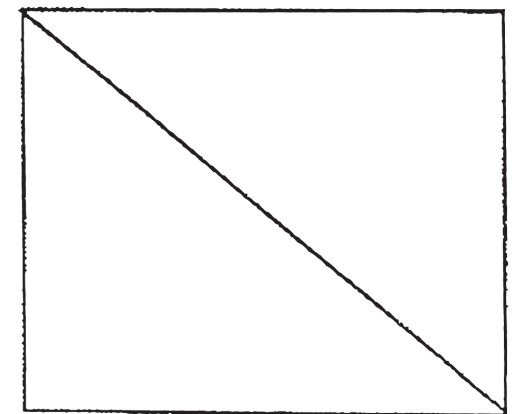
Solution #1



Side view

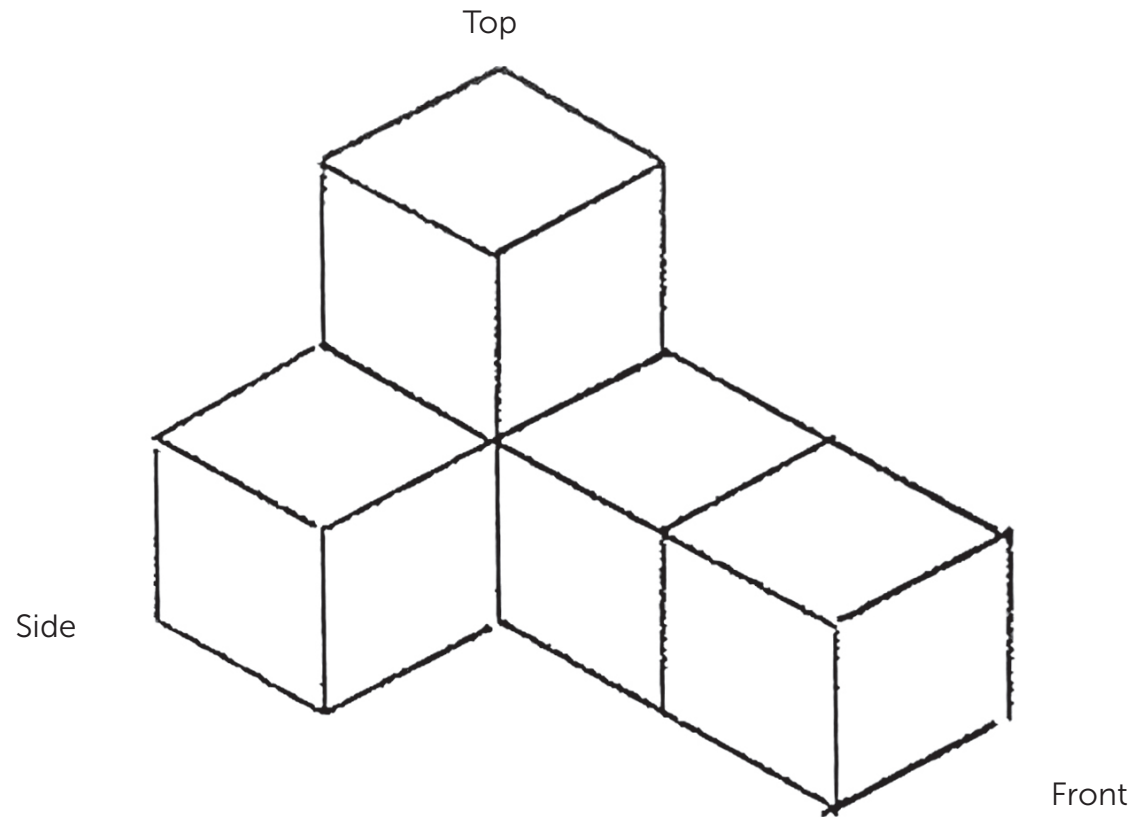


Front view

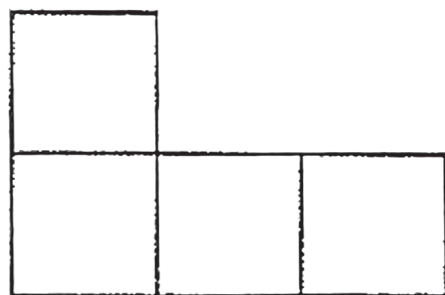
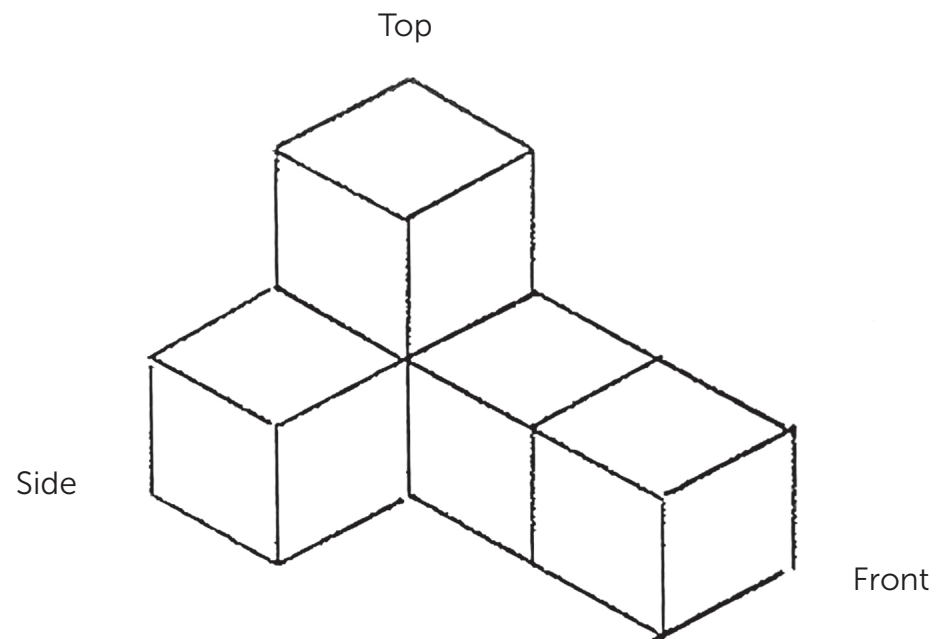


Top view

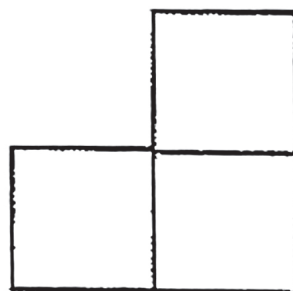
Problem #2



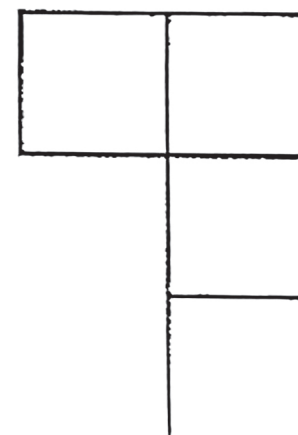
Solution #2



Side view

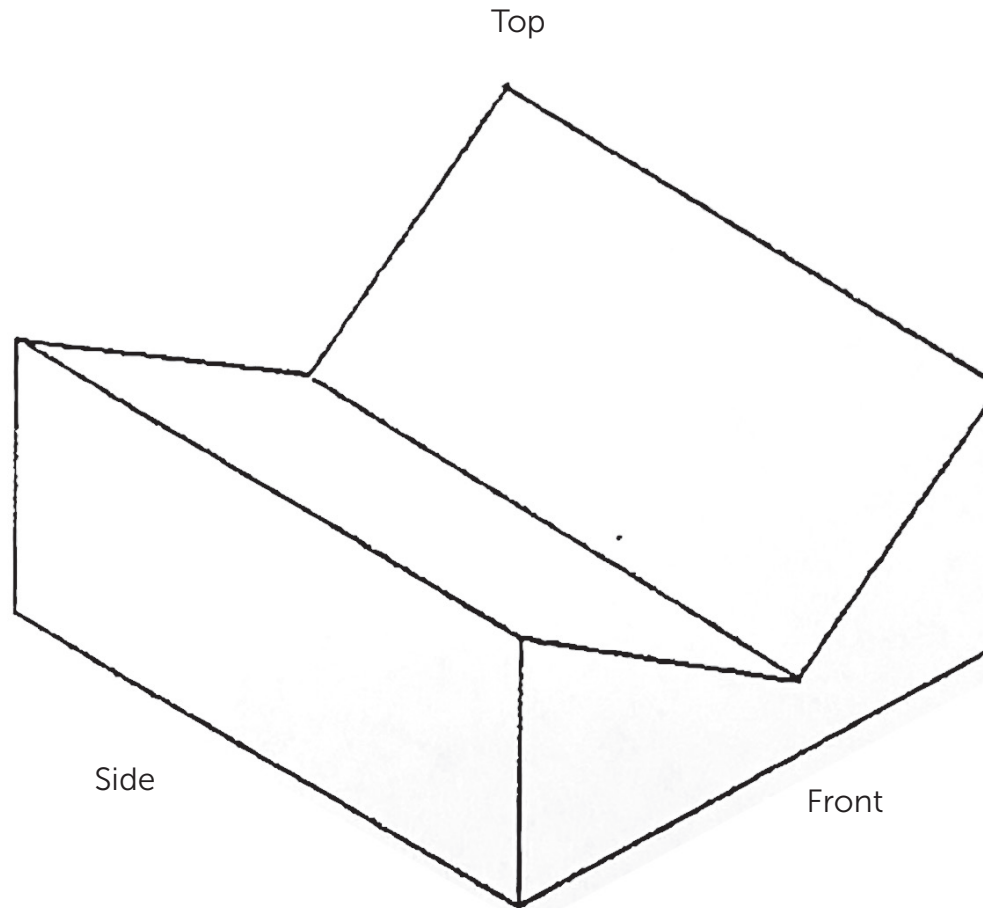


Front view

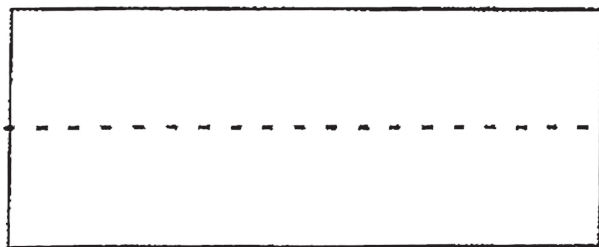
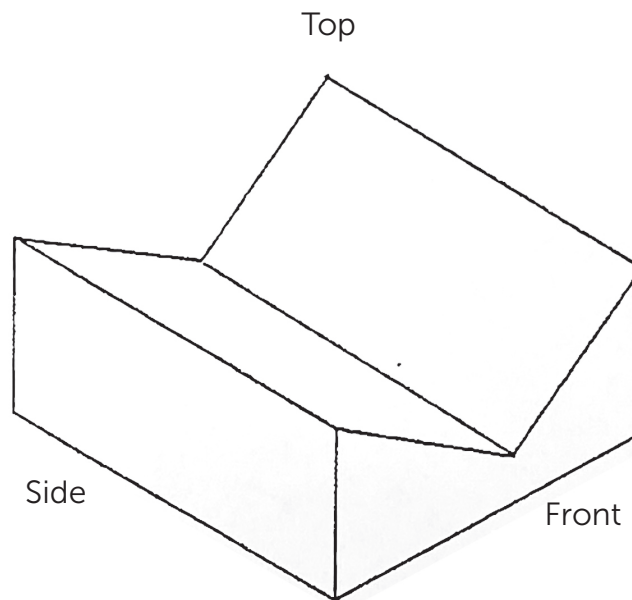


Top view

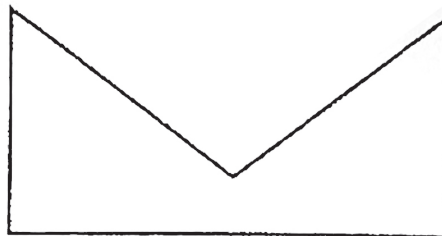
Problem #3



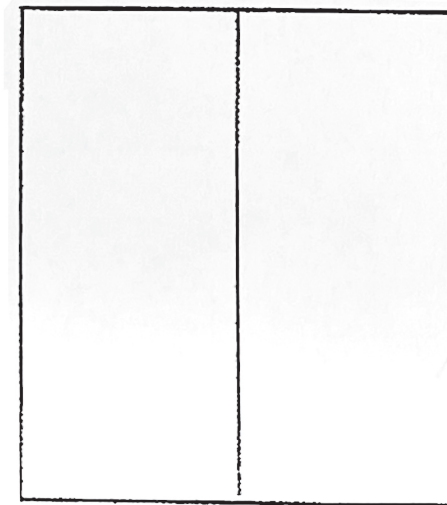
Solution #3



Side view

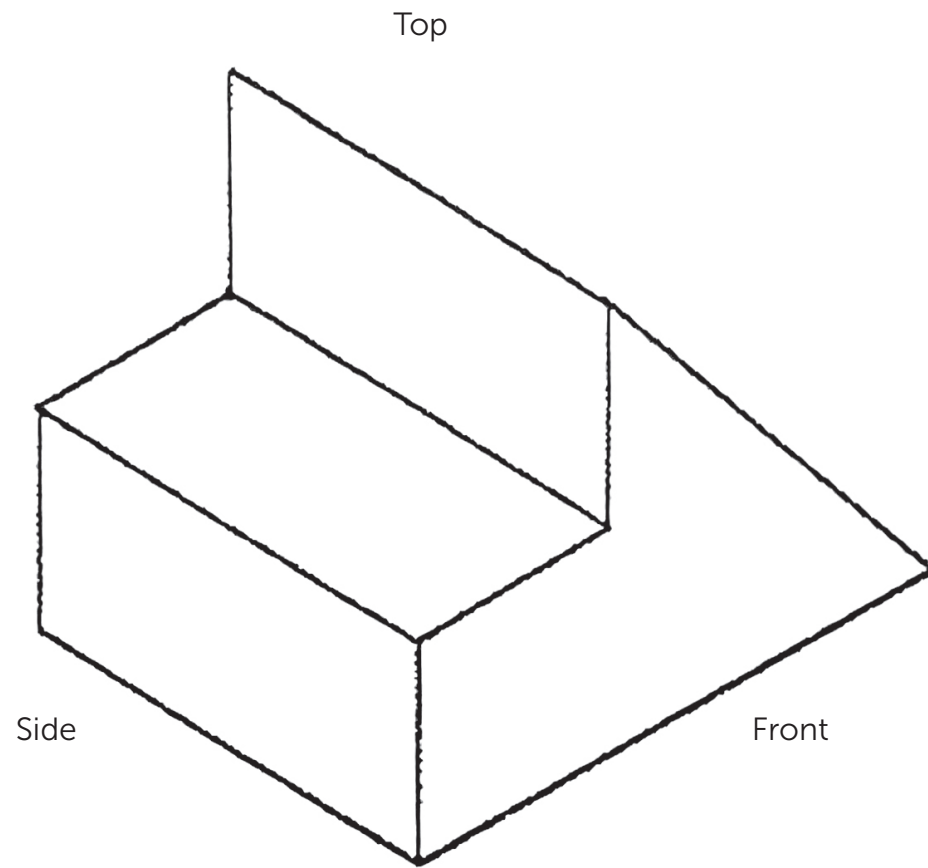


Front view

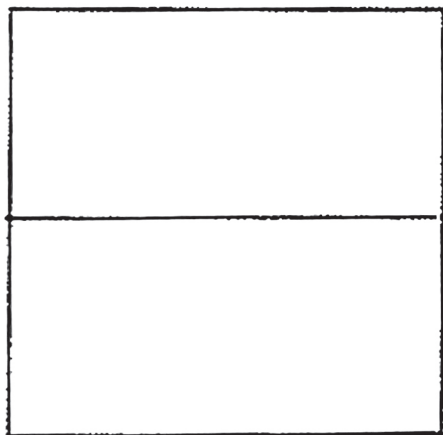
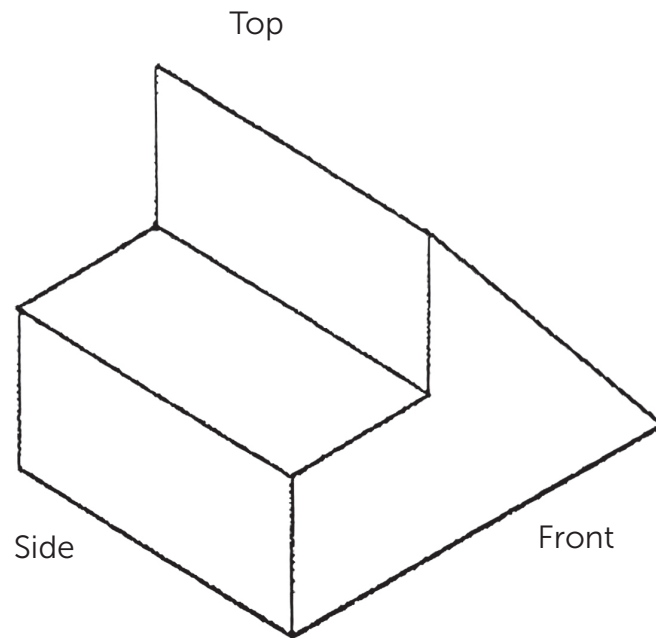


Top view

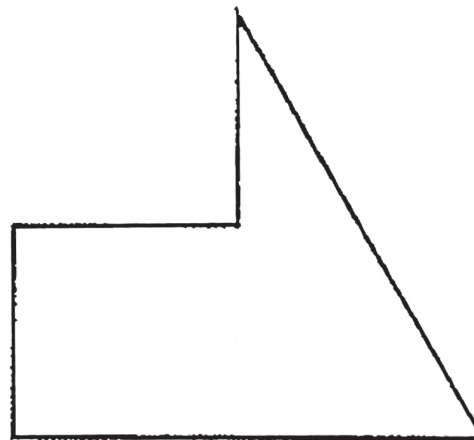
Problem #4



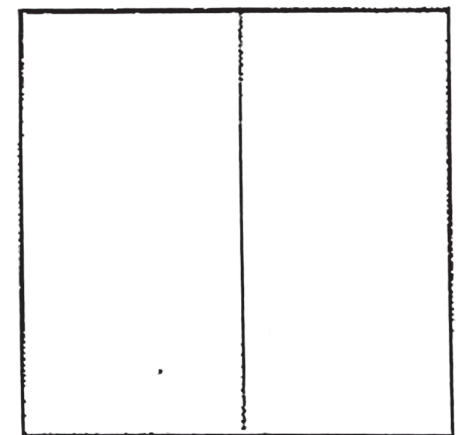
Solution #4



Side view

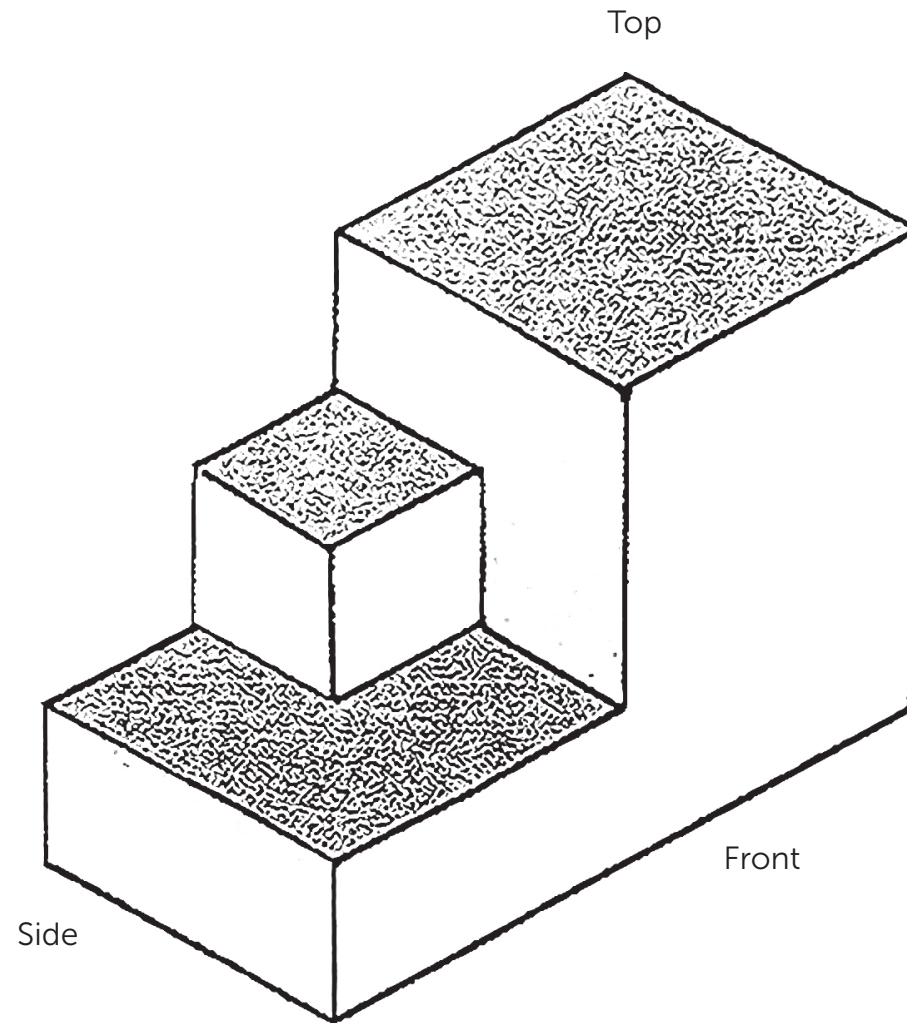


Front view

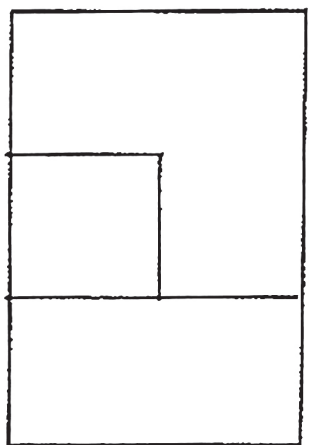
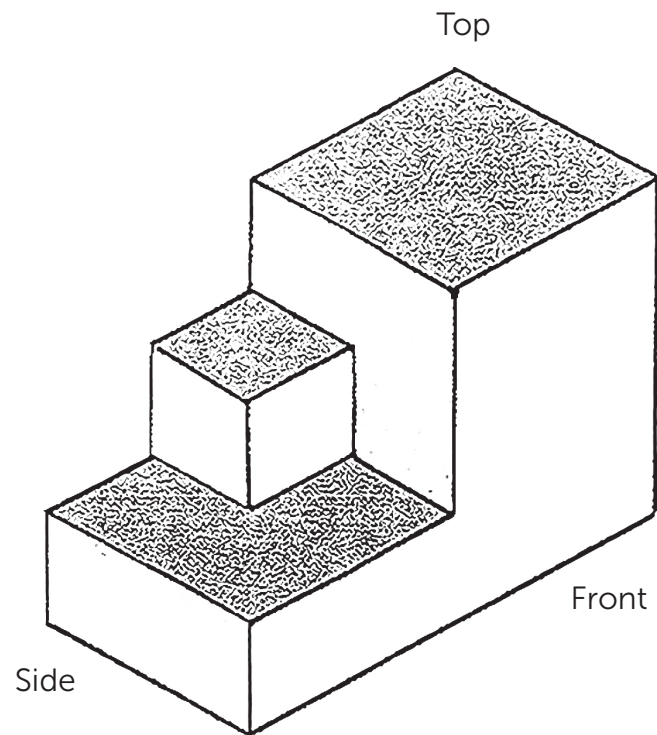


Top view

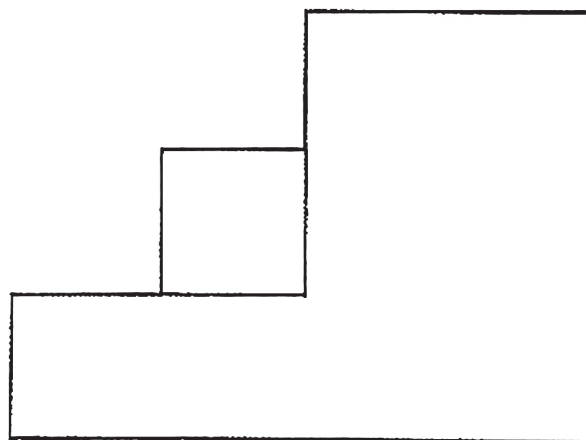
Problem #5



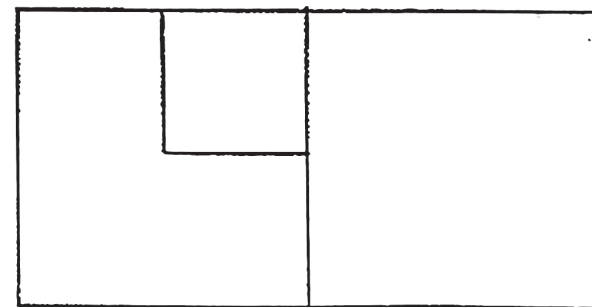
Solution #5



Side view

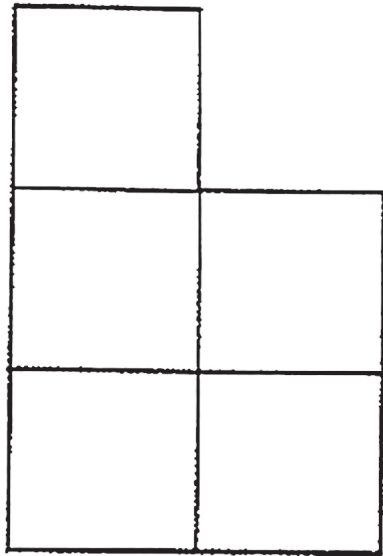


Front view

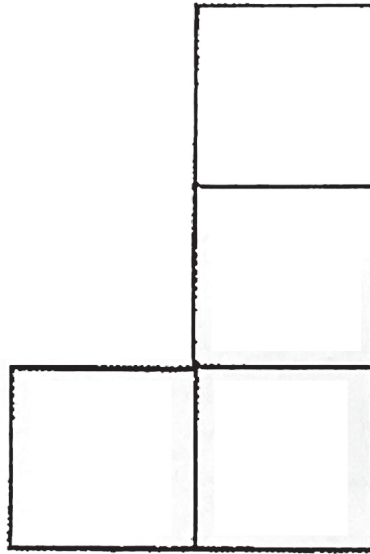


Top view

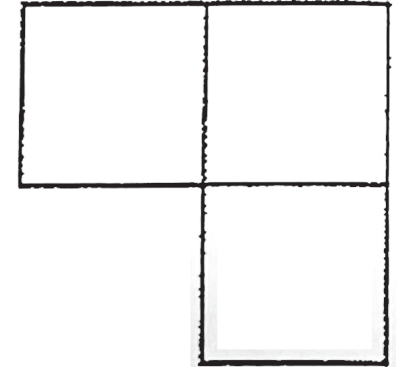
Problem #6



Side view

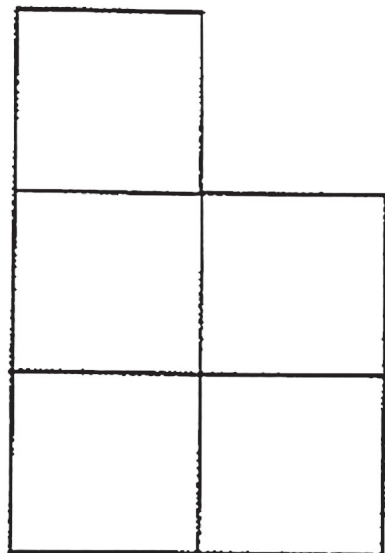


Front view

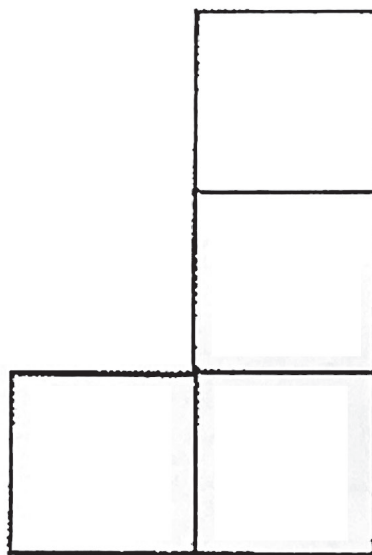


Top view

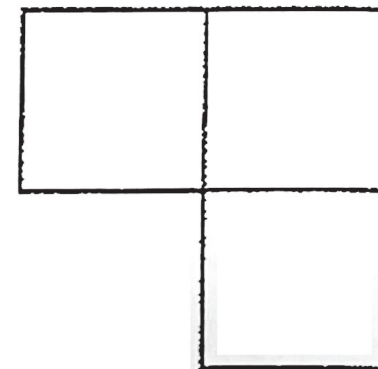
Solution #6



Side view



Front view



Top view

